



SPYDR 2i47

The **SPYDR 2i** is a high-performance top-lighting solution for commercial horticulture cultivation. Designed for growers to push the envelope with high-PPFD cultivation practices. Not intended for beginner growers or grows without CO₂ supplementation.

FLUENCE

BY OSRAM

SPECIFICATIONS

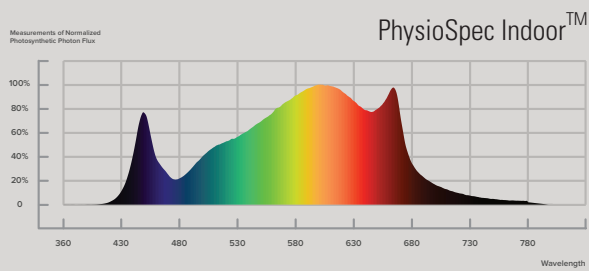
| | |
|---------------------------------|-------------------------------------|
| Light Source | LED |
| Spectrum | PhysioSpec Indoor™ |
| Light Output PPF | 1700 µmol/s |
| Efficacy | 2.7 µmol/J @ 277 AC |
| AC Input Power | 631W @ 277V AC |
| AC Input Voltage | 120-277V AC, 347-480V AC, 50/60Hz |
| Light Distribution | 120° |
| Mounting Height | 6" - 12" (15.2-30.5cm) Above Canopy |
| Thermal Management | Passive |
| Max. Ambient Temperature | 95°F / 35°C |
| Dimming | 10 V-Source |
| Total Harmonic Distortion (THD) | < 10% |
| Lifetime | L90: > 50,000hrs |
| IP Rating | IP66 |
| Certifications | UL 8800, UL 1598 Wet Location, DLC |
| Warranty | 5 Year Standard Warranty |

NOMINAL ELECTRICAL AC INPUT*

| AC VOLTAGE | 120V | 208V | 230V | 277V | 347V | 400V | 480V |
|--------------|--------|--------|--------|--------|--------|--------|--------|
| AC Current | 5.43 A | 3.06 A | 2.76 A | 2.28 A | 1.87 A | 1.61 A | 1.34 A |
| AC Power | 652 W | 636 W | 635 W | 631 W | 648 W | 645 W | 644 W |
| Power Factor | 0.997 | 0.991 | 0.99 | 0.98 | 0.995 | 0.989 | 0.974 |

* At 77°F (25°C) ambient temperature

SPECTRA



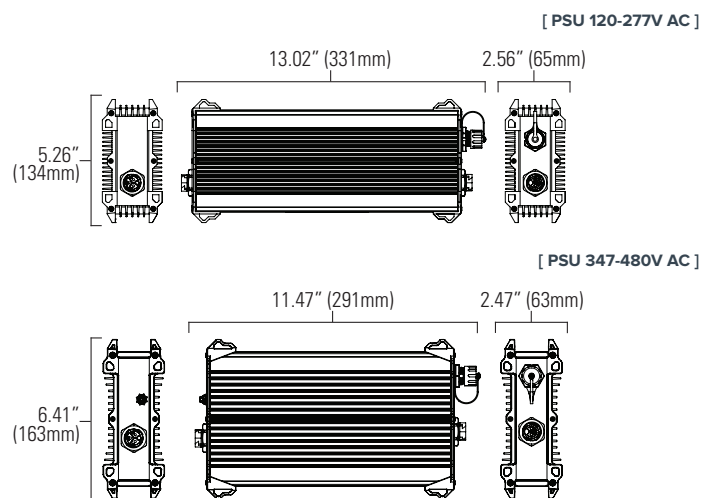
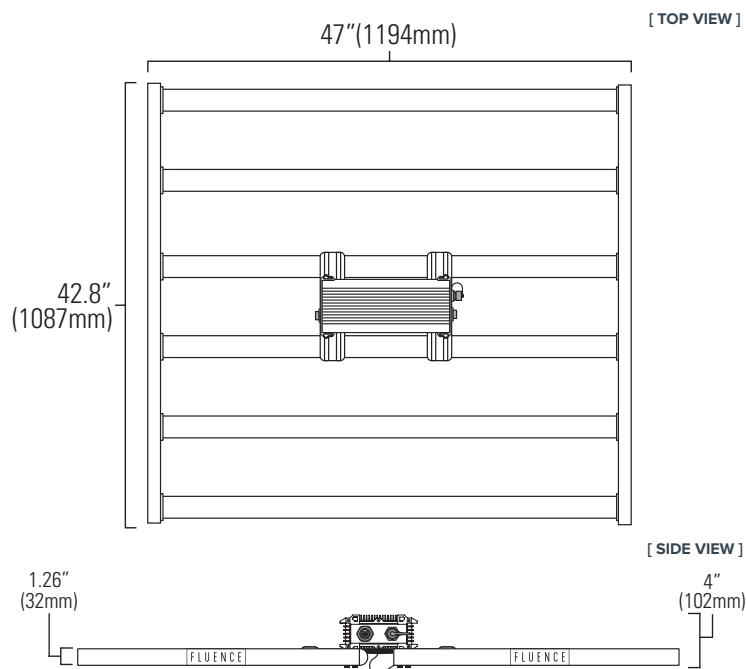
| FAMILY | MODEL | SPECTRUM | INPUT VOLTAGE | AC POWER CORD |
|--------|---------------------|----------------------|--------------------------|-----------------------------------|
| SR | SPYDR 2i 2i 47"x43" | I PhysioSpec Indoor™ | 1 120-277V 6 347-480V | 06 6ft (1.83m) 15 15ft (4.57m) |

| AC PLUG TYPE | DC EXT. CORD | MOUNTING HARDWARE | PACKAGING |
|-----------------|-----------------|--------------------------|------------------------|
| N5P NEMA 5-15p | 00 None | W Waterfall Mounts | S Single Pack |
| N6P NEMA 6-15P | 03 3 ft (.91m) | S Solid-Decking Mounts | B15 Bulk Pack (15 Qty) |
| L7P NEMA L7-15P | 06 6 ft (1.83m) | M 2-Point Hanging Lances | |
| PTP Pigtails | | A Adjustable Hanging Kit | |
| | | L Long V Mounts | |

*Please contact sales for more mounting options

DIMENSIONS

| Part | Length | Width | Height | Weight |
|-----------------------------------|-----------------|------------------|---------------|--------------------|
| SPYDR 2i 47" Light Fixture | 47" 1194mm | 42.80" 1087mm | 1.26" 32mm | 16.7 lbs 7.6 kg |
| PSU Power Supply 631W 120-277V AC | 13.02" 331mm | 5.26" 134mm | 2.56" 65mm | 7.5 lbs 3.4 kg |
| PSU Power Supply 631W 347-480V AC | 11.47" 291mm | 6.41" 163mm | 2.47" 63mm | 7.5 lbs 3.4 kg |



Contact **FLUENCE**

info@fluencebioengineering.com

www.fluence.science/SPYDR

© Copyright 2020 Fluence Bioengineering 2020-02

Subject to change without notice, Tolerance ±10%

Horticultural lighting | Not suitable for household illumination.